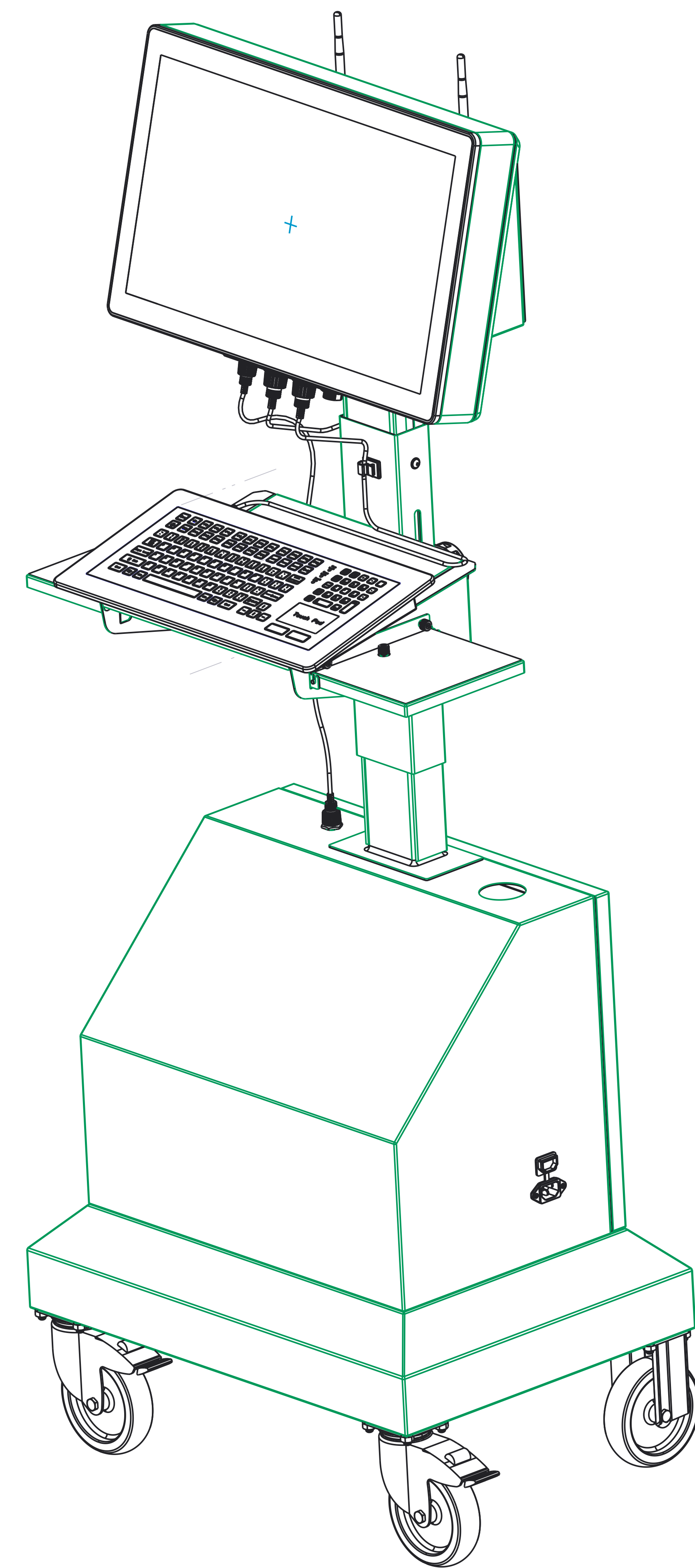
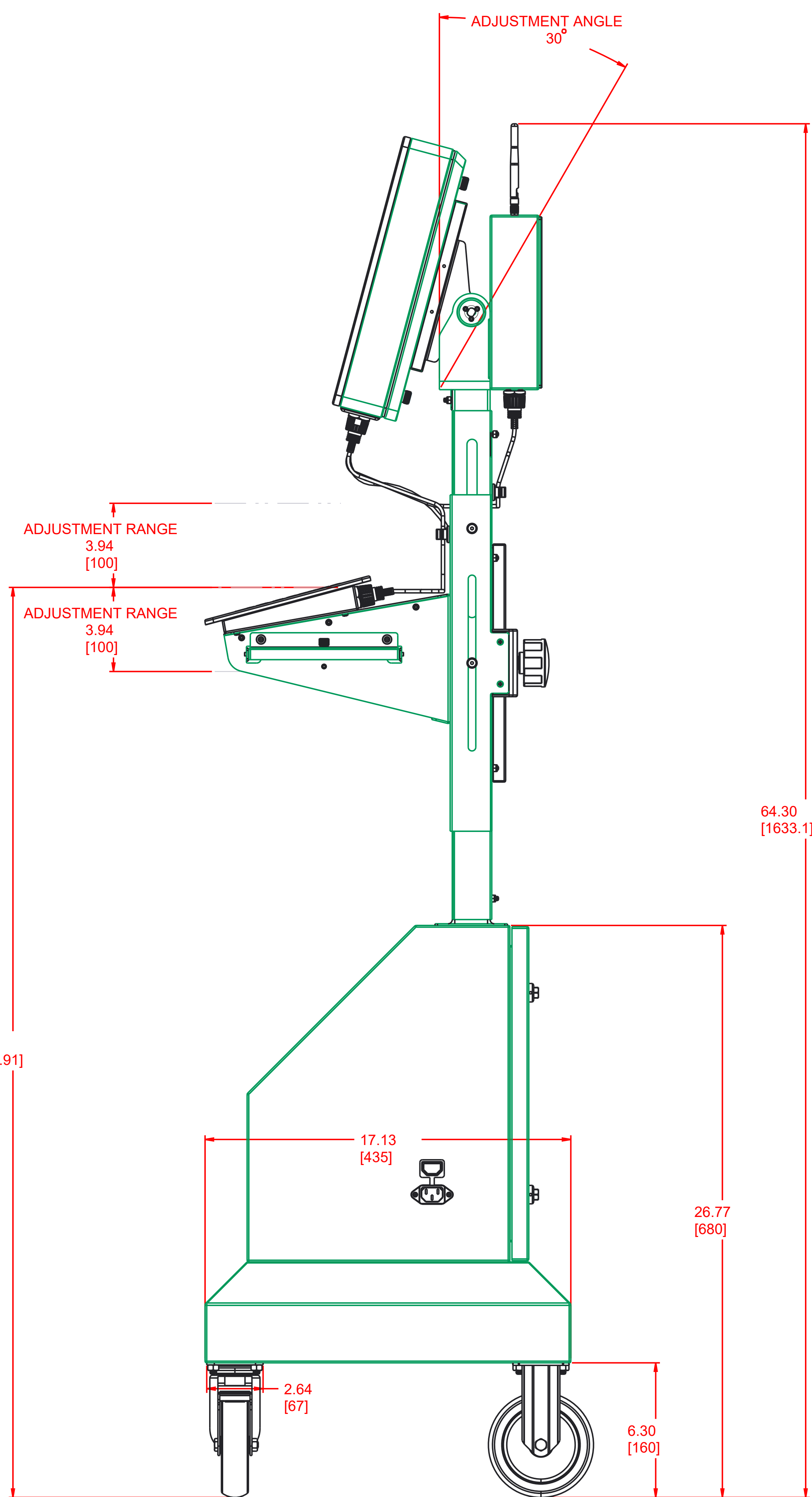
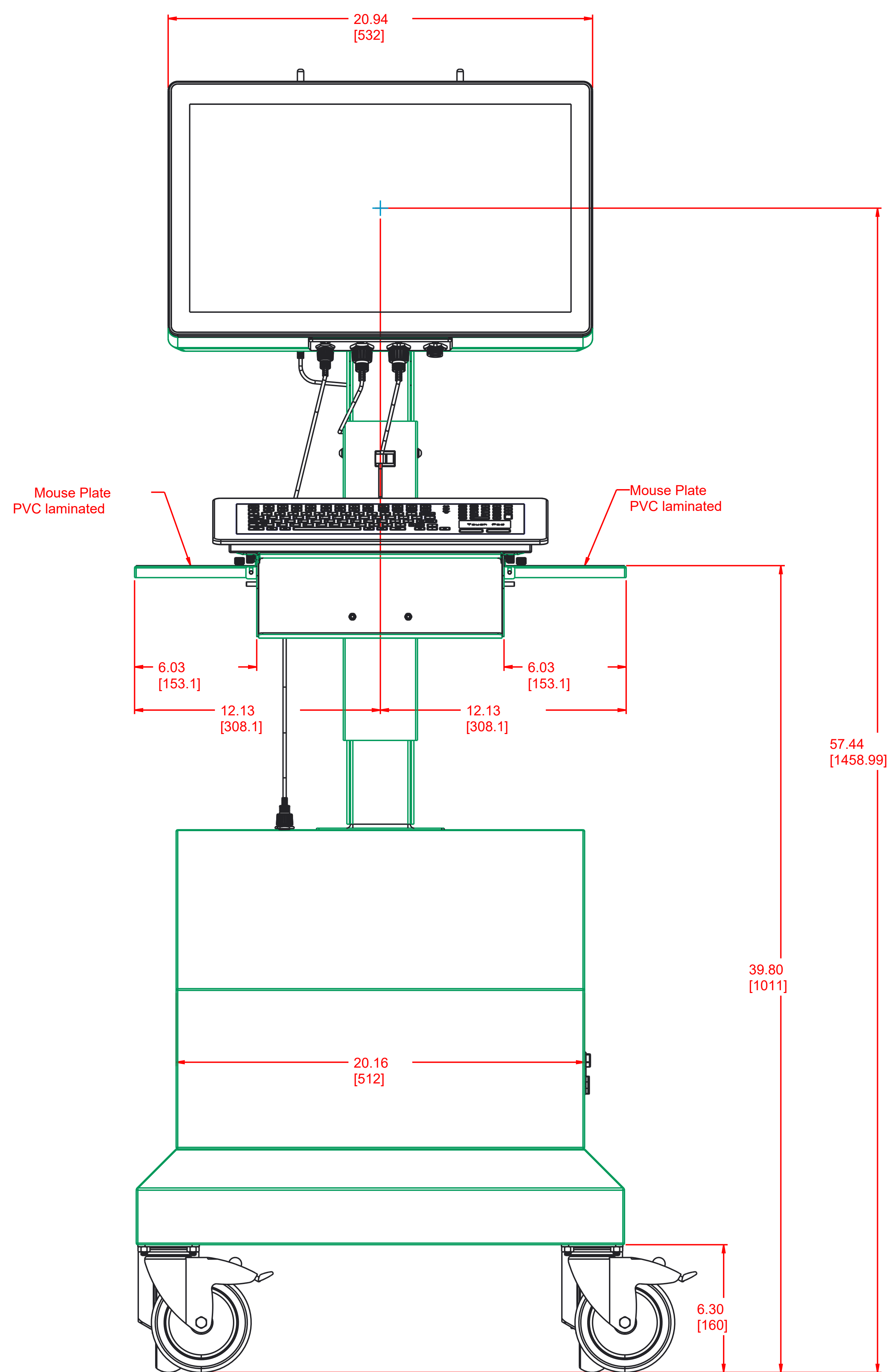
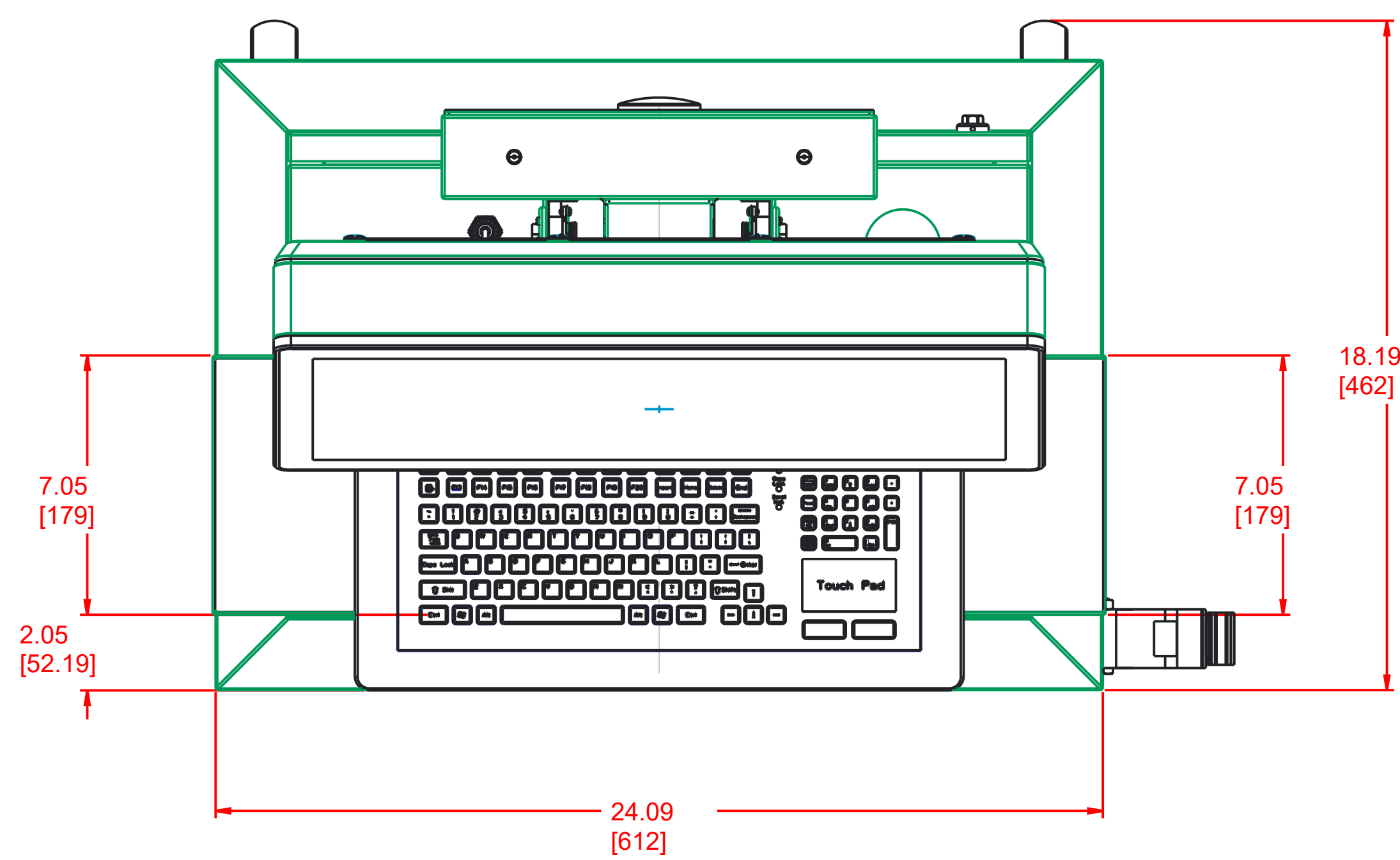


ITEM		QTY	DESCRIPTION	PIN



NOTES:

1. MATERIAL: SS 316.
2. Mouse Plate PVC laminated.
3. Meets NEMA 4X requirements.
4. UNITS: inch/mm.

ZONE	REV	DESCRIPTION	DATE	APPROVED

TOLERANCES		A	B	C
0-30mm	±0.1	±0.25	±0.6	
31-50mm	±0.15	±0.45	±1.1	
51-75mm	±0.2	±0.6	±1.5	
76-100mm	±0.3	±0.9	±2.0	
DRN	YoyoSu	DATE	6/08/17	
CHECKED				
DESIGN				

The information disclosed on this document is the exclusive property of ARISTA CORPORATION. Reproduction, disclosure, or the use of this document or information without the written permission of ARISTA CORPORATION is prohibited.

ARISTA CORPORATION		46675 Enzylopedia Circle, Fremont, CA 94538	
TITLE		AMW-1321AX-E01 ASSEMBLY	
SIZE	E	FROM NO.	DWG NO.
SCALE	0.300	REV. NO.	SHEET OF